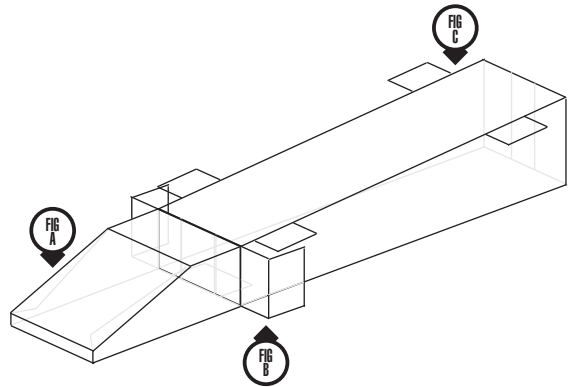
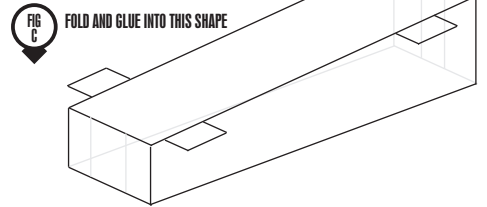
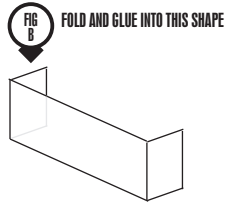
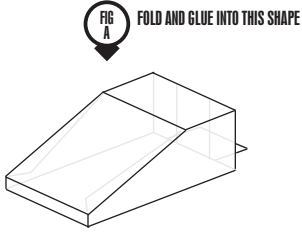
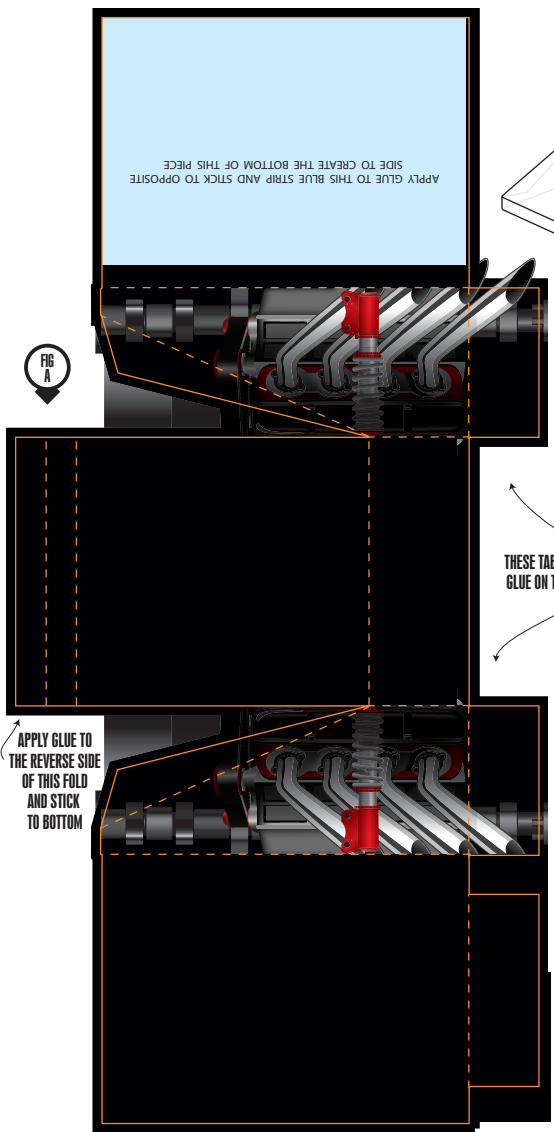


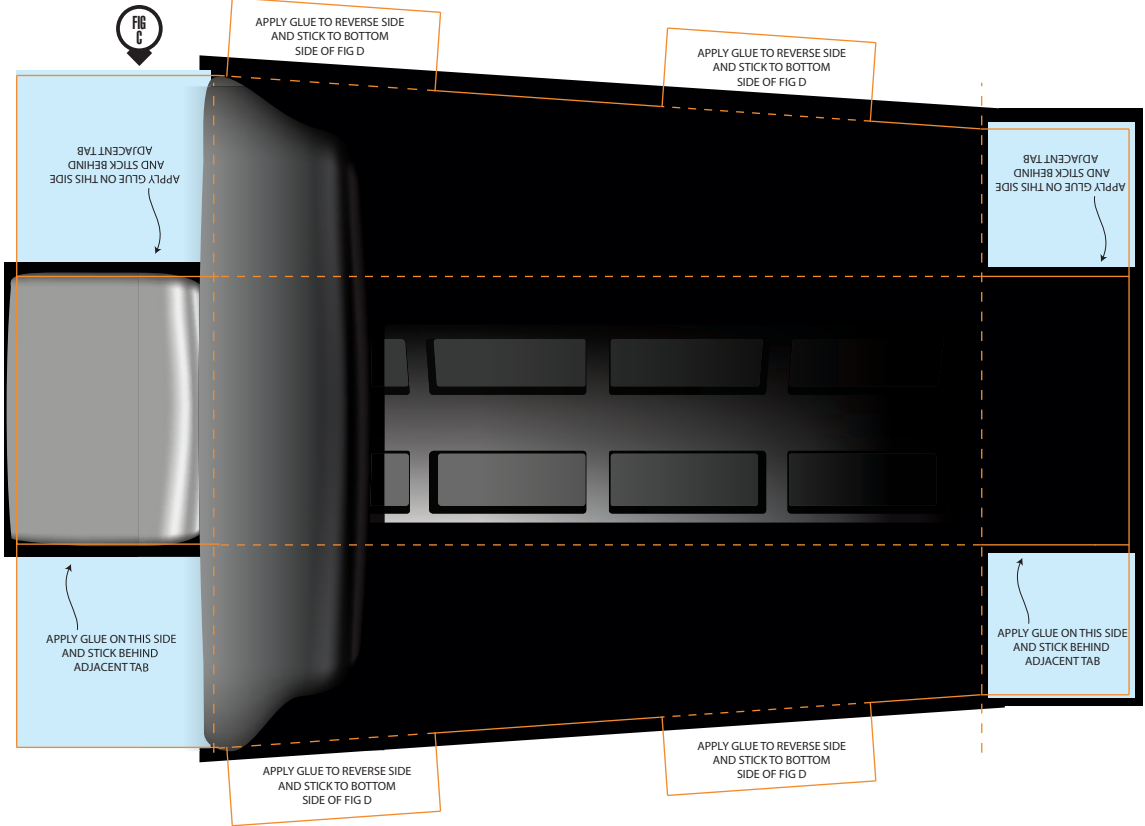
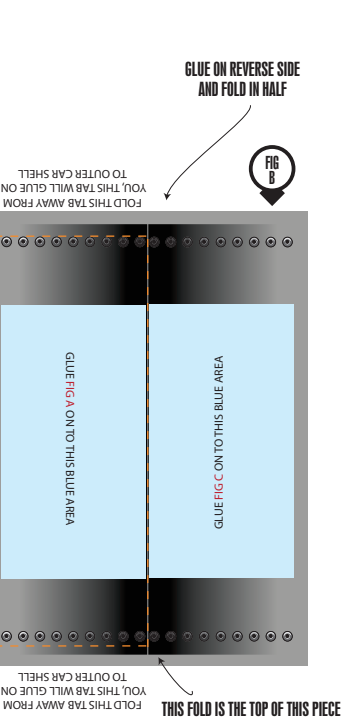
# BASIC INSTRUCTIONS PG. 1 of 4

- PRINT OUT
- CUT OUT ALONG SOLID LINES AND THEN FOLD ON DOTTED LINES (XACTO KNIFE WORKS BEST)



THESE TABS WILL GLUE ON TO FIG B

USE THIS TAB TO GLUE ON TO BOTTOM OF FIG C



FOLD INTO THIS SHAPE AND THEN GLUE ON TO ASSEMBLED PIECES



LUCASOIL.com

FOLD UNDER

FOLD UNDER



APPLY GLUE TO THIS BLUE STRIP AND STICK TO OPPOSITE SIDE TO CREATE THE BOTTOM OF THIS PIECE

GLUE REVERSE SIDE AND STICK UNDER

FOLD DOWN

FOLD UP

GLUE FIG 1 TO THIS BLUE STRIP

GLUE FIG 11 TO THIS BLUE STRIP

FOLD UNDER

LUCASOIL.COM



APPLY FIG E TO REAR OF FIG D

### BASIC INSTRUCTIONS PG. 2 of 4

- PRINT OUT
- CUT OUT ALONG SOLID LINES AND THEN FOLD ON DOTTED LINES (XACTO KNIFE WORKS BEST)

FIG E  
GLUE REVERSE SIDE AND FOLD IN HALF AND THEN GLUE TO REAR OF FIG D



OUTER SPOILER FINS



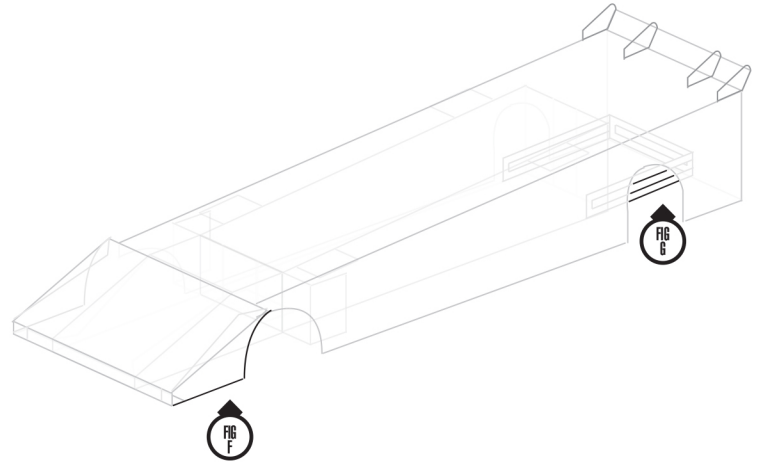
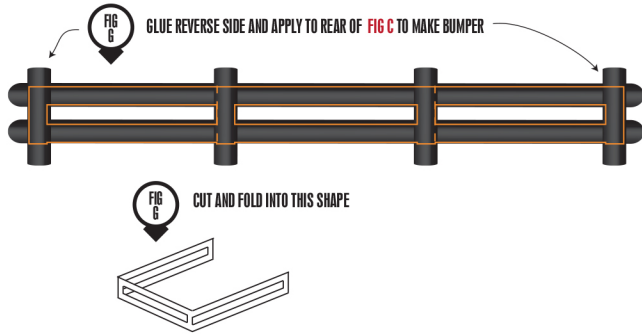
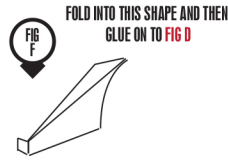
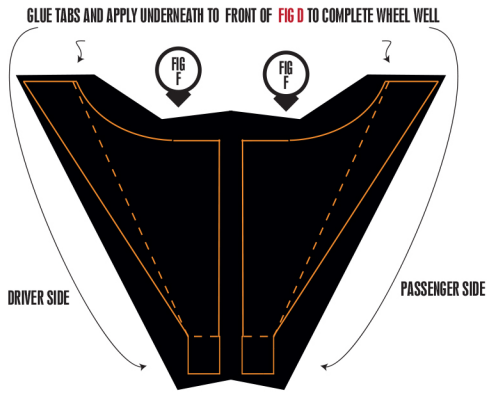
INNER SPOILER FINS

APPLY GLUE TO THE REVERSE SIDE OF THIS FOLD AND STICK TO BOTTOM OF FIG A

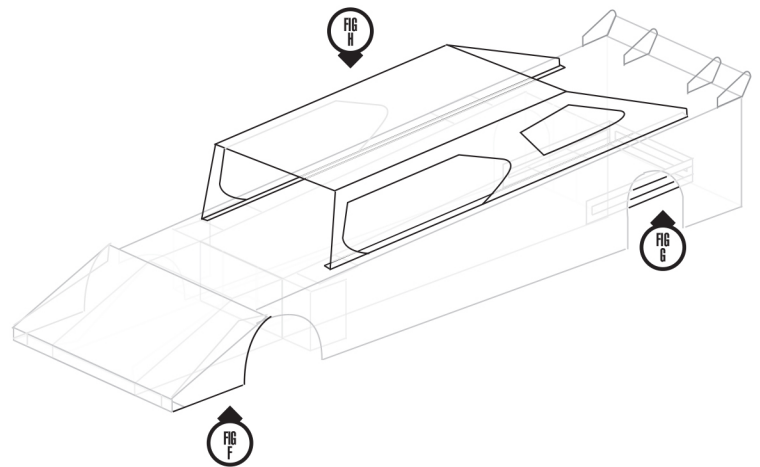
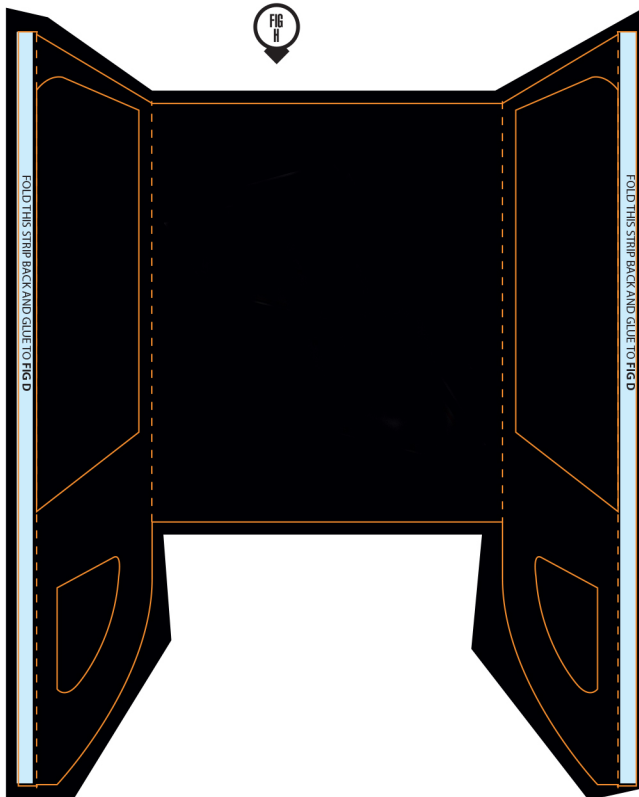
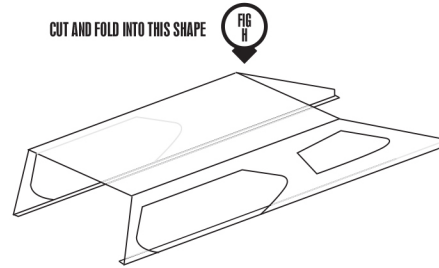
# LUCAS

## BASIC INSTRUCTIONS PG. 3 of 4

- PRINT OUT
- CUT OUT ALONG SOLID LINES AND THEN FOLD ON DOTTED LINES (XACTO KNIFE WORKS BEST)



CUT AND FOLD INTO THIS SHAPE



## BASIC INSTRUCTIONS PG. 4 of 4

- PRINT OUT
- CUT OUT ALONG SOLID LINES AND THEN FOLD ON DOTTED LINES (XACTO KNIFE WORKS BEST)

